

Data sheet

# Citygrid Antenna GW DIN



Included when purchasing the Citygrid Gateway DIN MKII P/N D22006.

Citygrid Antenna GW DIN is a robust omnidirectional antenna. The Citygrid Antenna GW DIN communicates with the Citygrid Mesh network and 2G/4G network and is used with the Citygrid Gateway DIN MKII.

**WIRELESS COMMUNICATION AND GPS**

Specification item	Value	Unit	Condition
Antenna 1 frequency	868.3	MHz	
Antenna 2 frequency	850, 900, 1700, 1800, 1900, 2100, 2600	MHz	
Radiation	Omni-directional		

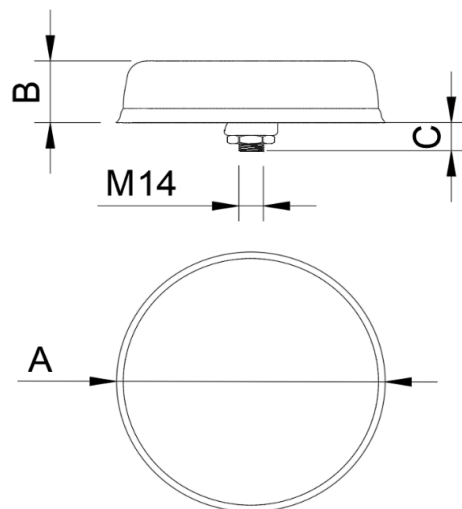
**ELECTRICAL CONNECTIONS AND INSTALLATION**

Specification item	Value	Unit	Condition
Connector 1	RP SMA Female		
Connector 2	SMA Female		
Cable length	1500	mm	
Mounting	Screw mount		
Mounting thread	M14x1	mm	
Tightening torque	≤ 6	Nm	
Mounting hole	Ø19.5 or 15x15	mm	
Mounting position	Horizontal flat surface		
Mounting plate thickness	0.1-4.0	mm	

PROTECTION			
Specification item	Value	Unit	Condition
IP rating	IP67		
IK rating	IK09		

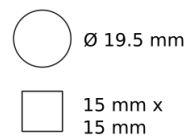
TEMPERATURE & HUMIDITY			
Type	Value	Unit	Condition
Operational temperature	-40 to +85	°C	Ambient
Storage temperature	-40 to +85	°C	Ambient

DIMENSIONS & WEIGHT			
Item	Value	Unit	Comment
A	146	mm	Diameter
B	31.5	mm	Height
C	18	mm	Rod height
Cable	1500	mm	Length
Weight	523	g	



Note that the cables exiting the antenna through the hollow bolt is not included.

Hole size options



WARRANTY AND EXPECTED LIFETIME	
Specification item	Value
Warranty	2 years

