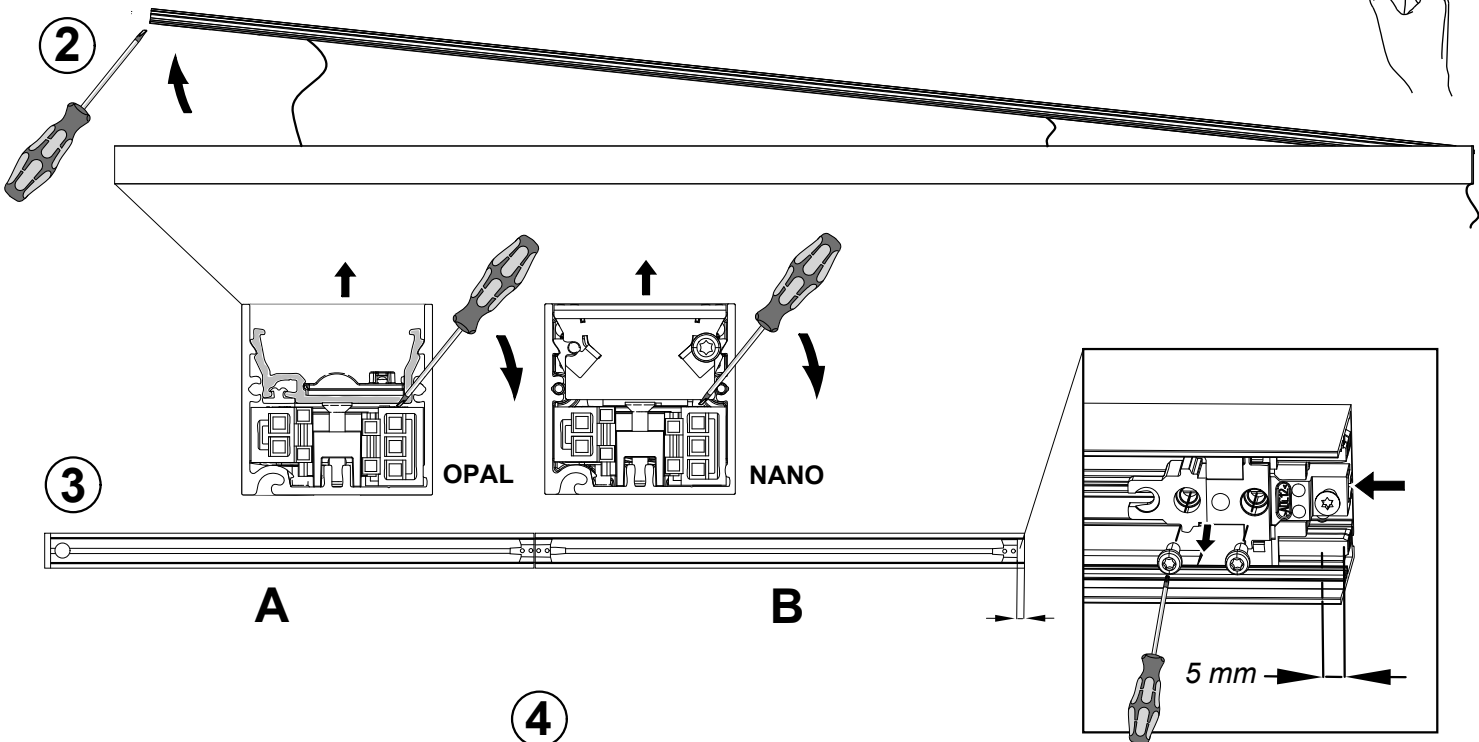
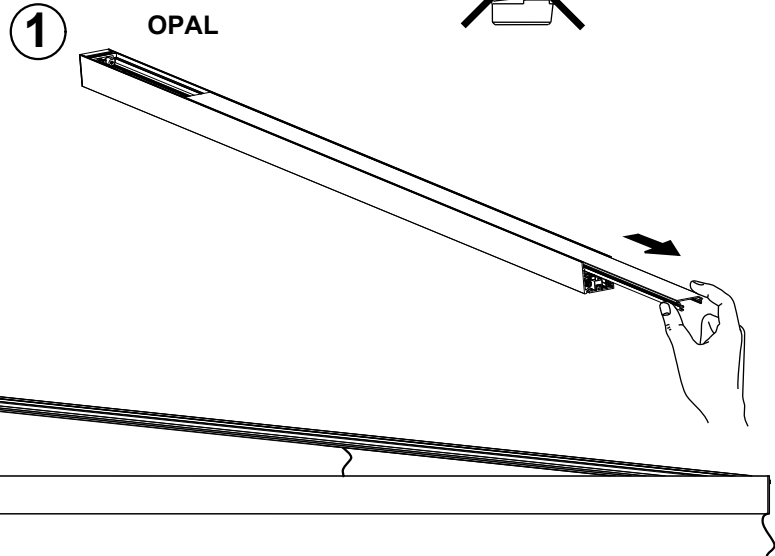
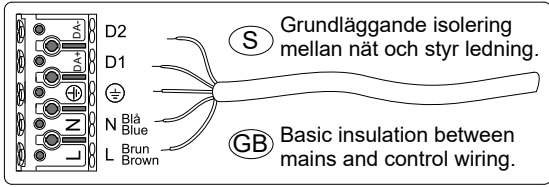
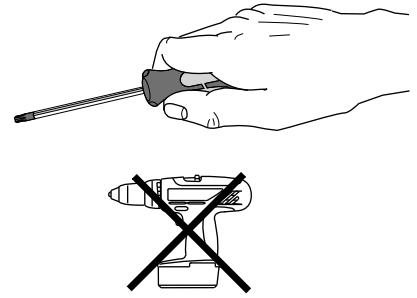
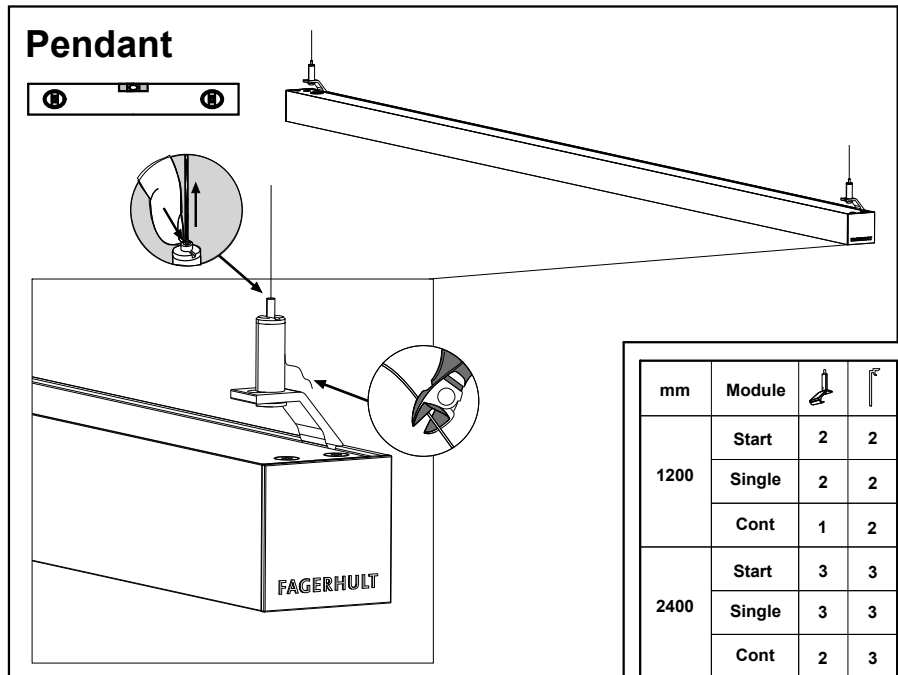
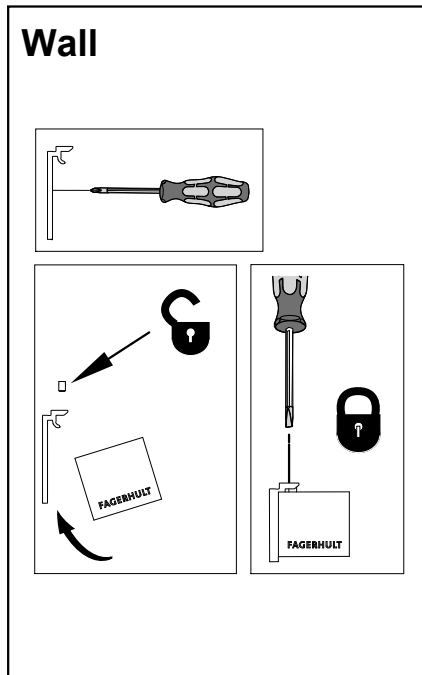


# FAGERHULT SE - 566 80 Habo

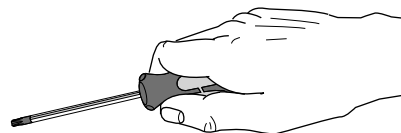
## Notor 36 Pendant/Wall



**4**

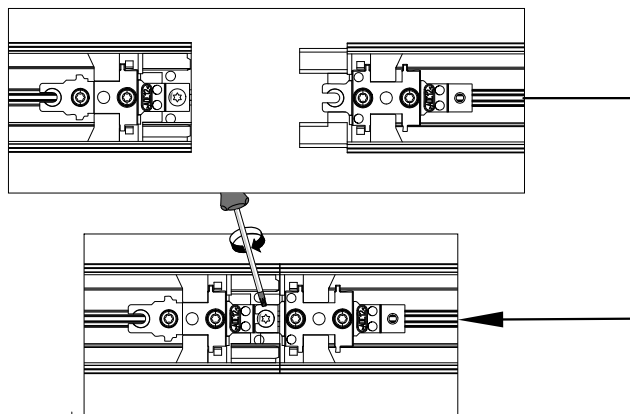
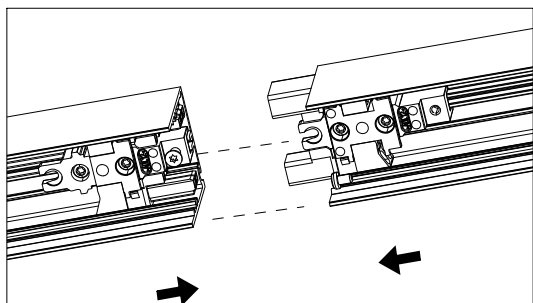


| mm   | Module | ⚙️ | 🔑 |
|------|--------|----|---|
| 1200 | Start  | 2  | 2 |
|      | Single | 2  | 2 |
|      | Cont   | 1  | 2 |
| 2400 | Start  | 3  | 3 |
|      | Single | 3  | 3 |
|      | Cont   | 2  | 3 |

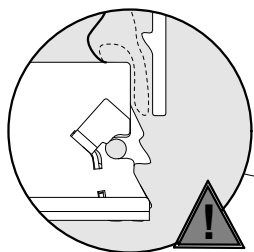


## Notor 36 Pendant/Wall

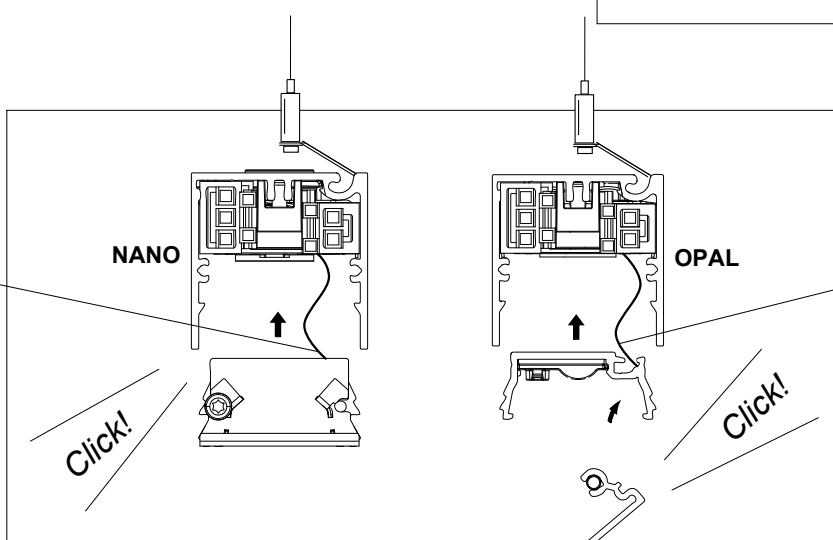
5



6

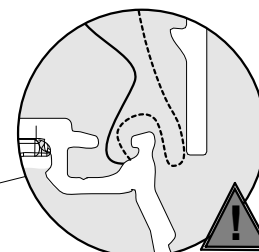


Risk of damage!  
Klämrisk!



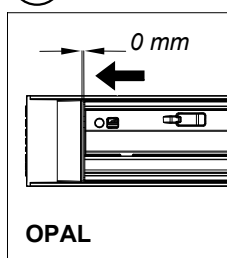
Click!

Click!

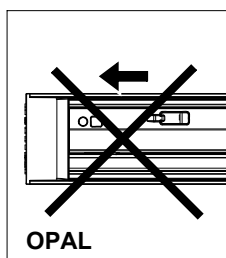


Risk of damage!  
Klämrisk!

6.1

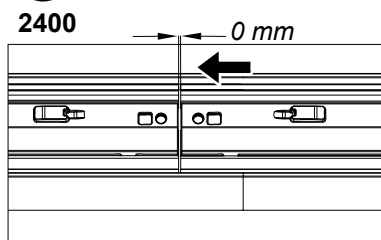


OPAL



OPAL

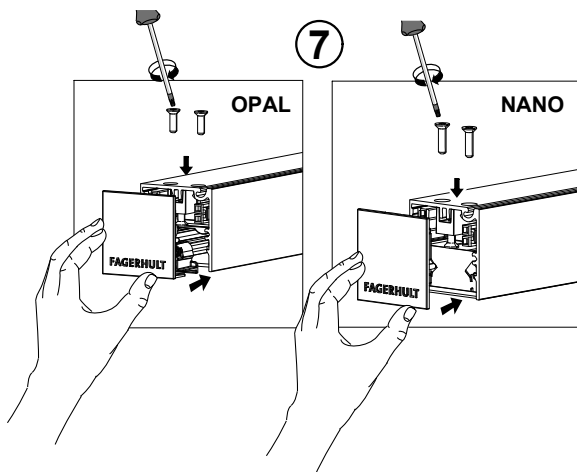
6.2



2400

(S) Ljuskälla och drivdon ska enbart bytas ut av tillverkaren eller dess utsedda person.  
(GB) The light source and control gear shall only be replaced by the manufacturer or its designated person.

7



### With ORGANIC RESPONS (OR)

Operating frequency bands and output power (EIRP):  
Frequency band: 2.4 GHz  
Output power (4dBm max within our operating band)

Härmed försäkrar Fagerhult att dessa typer av radioutrustning 16302R överensstämmer med direktiv 2014/53/EU.  
Hereby, Fagerhult declares that the radio equipments type 16302R are in compliance with Directive 2014/53/EU and UK SI 2017 No. 1206.

Den fullständiga texten till EU-försäkran om överensstämmelse finns på följande webbadress: [www.fagerhult.com/declaration-of-conformity](http://www.fagerhult.com/declaration-of-conformity)  
The full text of the EU declaration of conformity is available at the following internet address: [www.fagerhult.com/declaration-of-conformity](http://www.fagerhult.com/declaration-of-conformity)