

## TWIN DUAL DRIVER

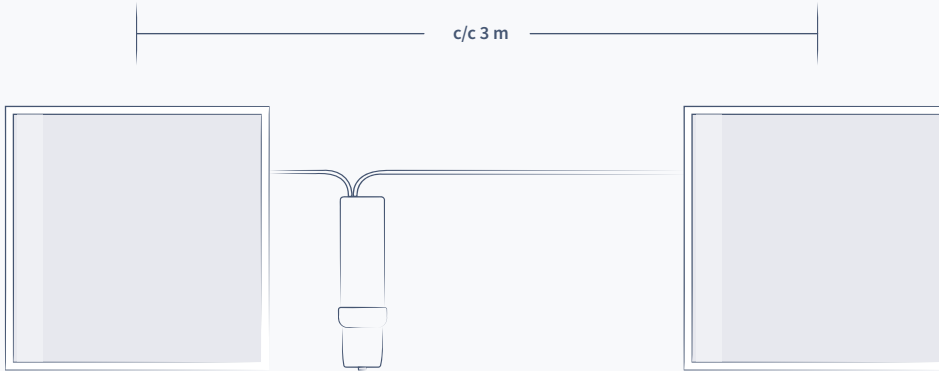
# Multiple options.

Twin Dual Driver is supplied with different cable lengths up to 3 meters, which provides good flexibility as well as faster and smoother installations.

### DALI (T1L)

1 short and 1 long cable to luminaire

c/c 3 m

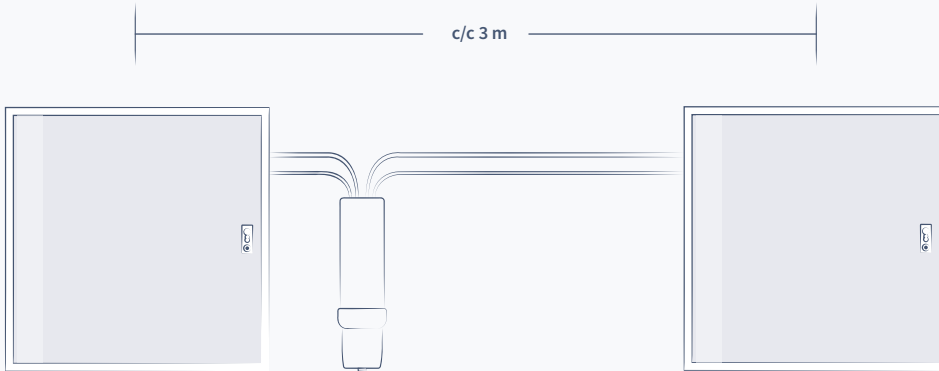


### ORGANIC RESPONSE (T1L)

1 short and 1 long cable to luminaire

1 short and 1 long cable to sensor node

c/c 3 m



### DALI (T2L)

2 long cables to luminaire

c/c 4.8 m

